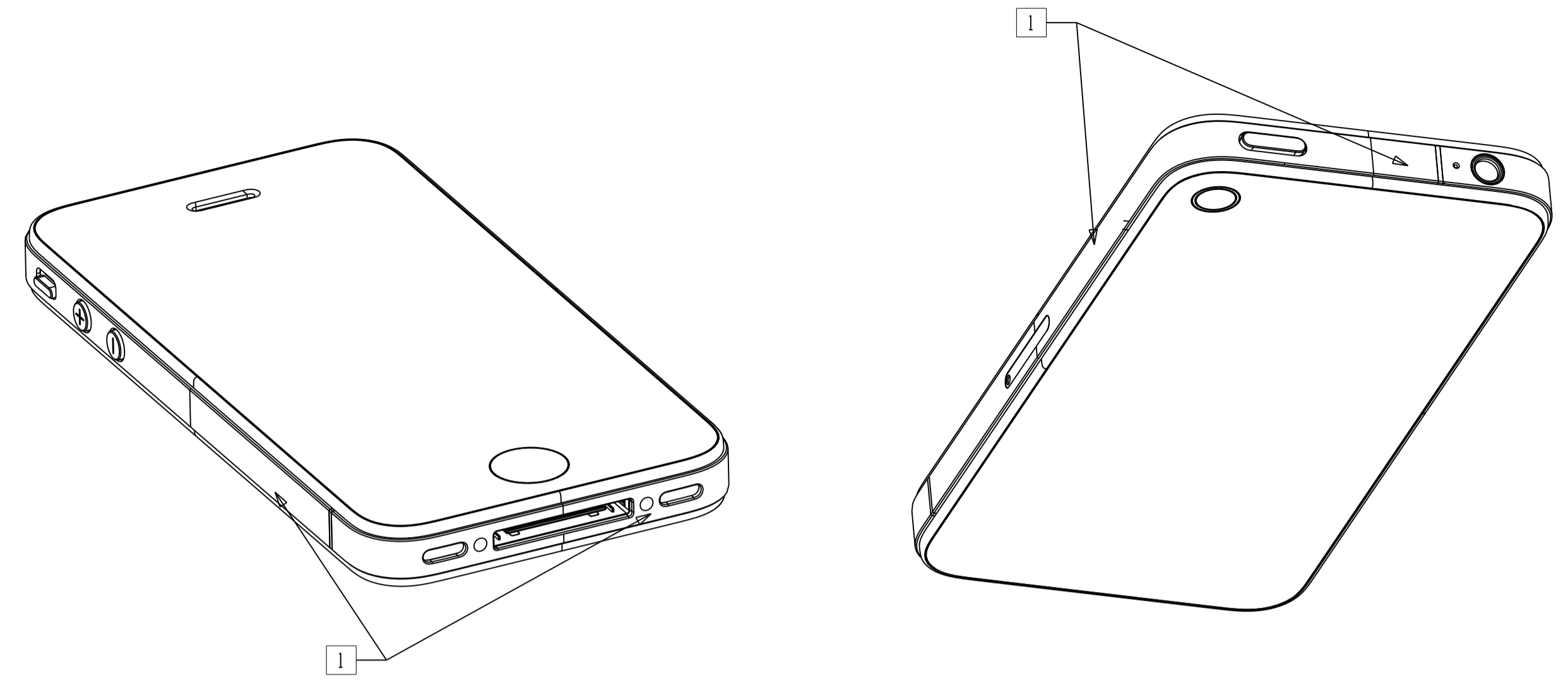
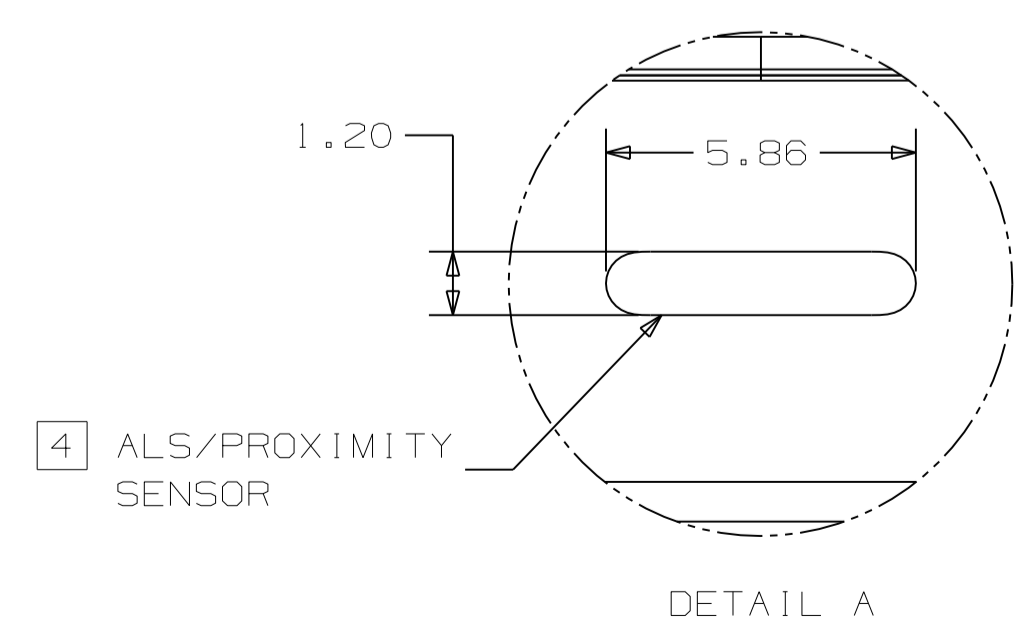
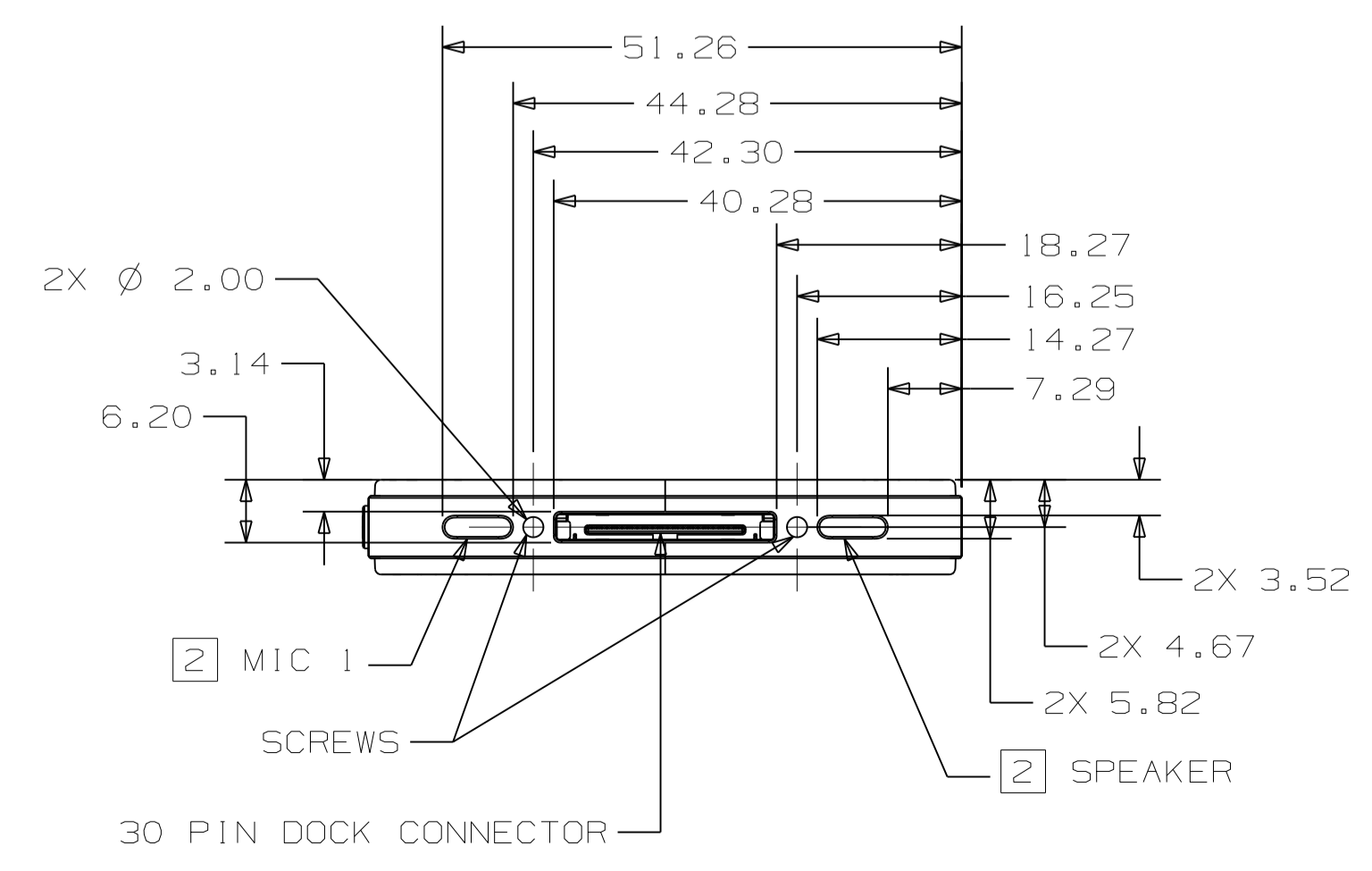
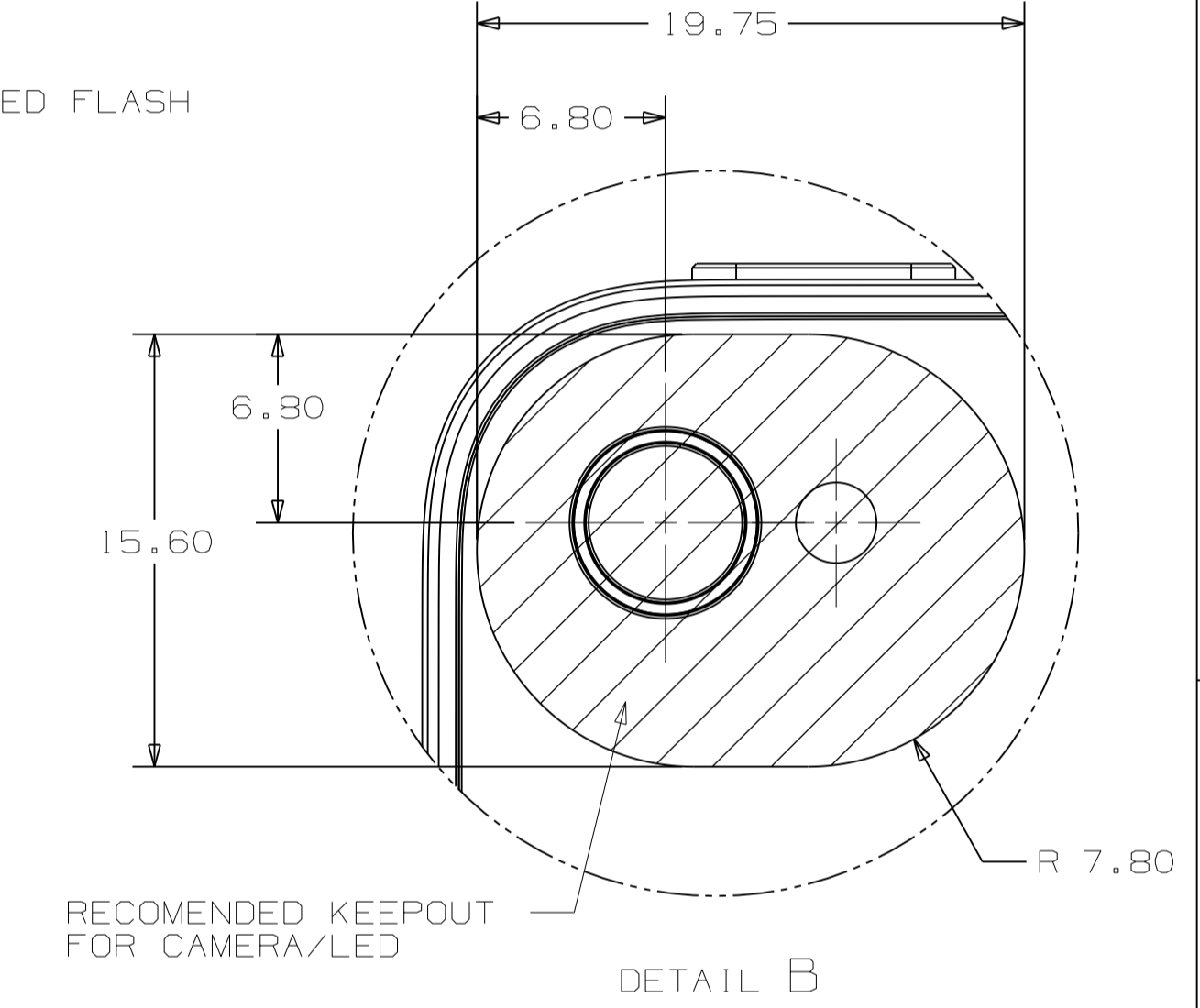
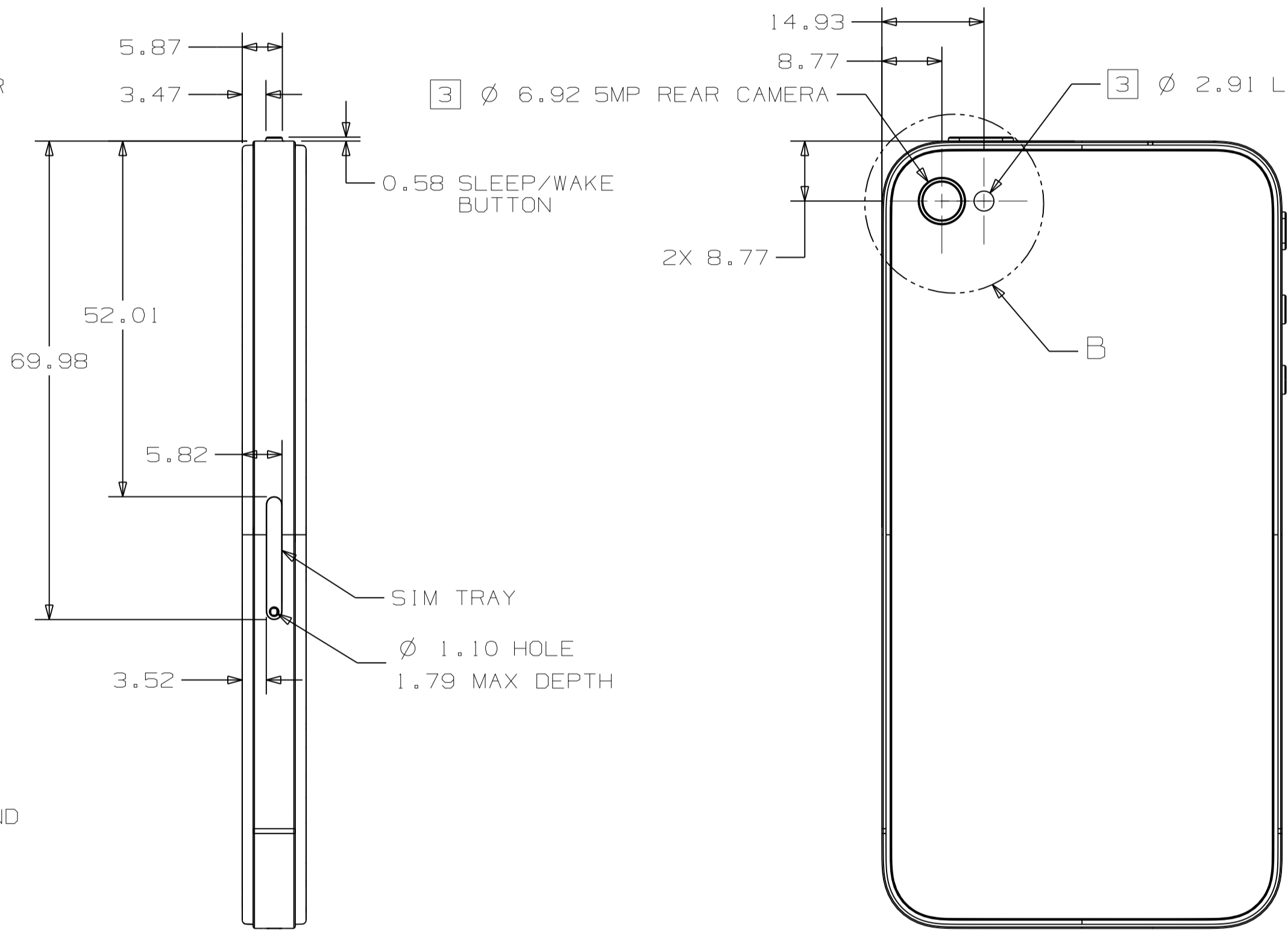
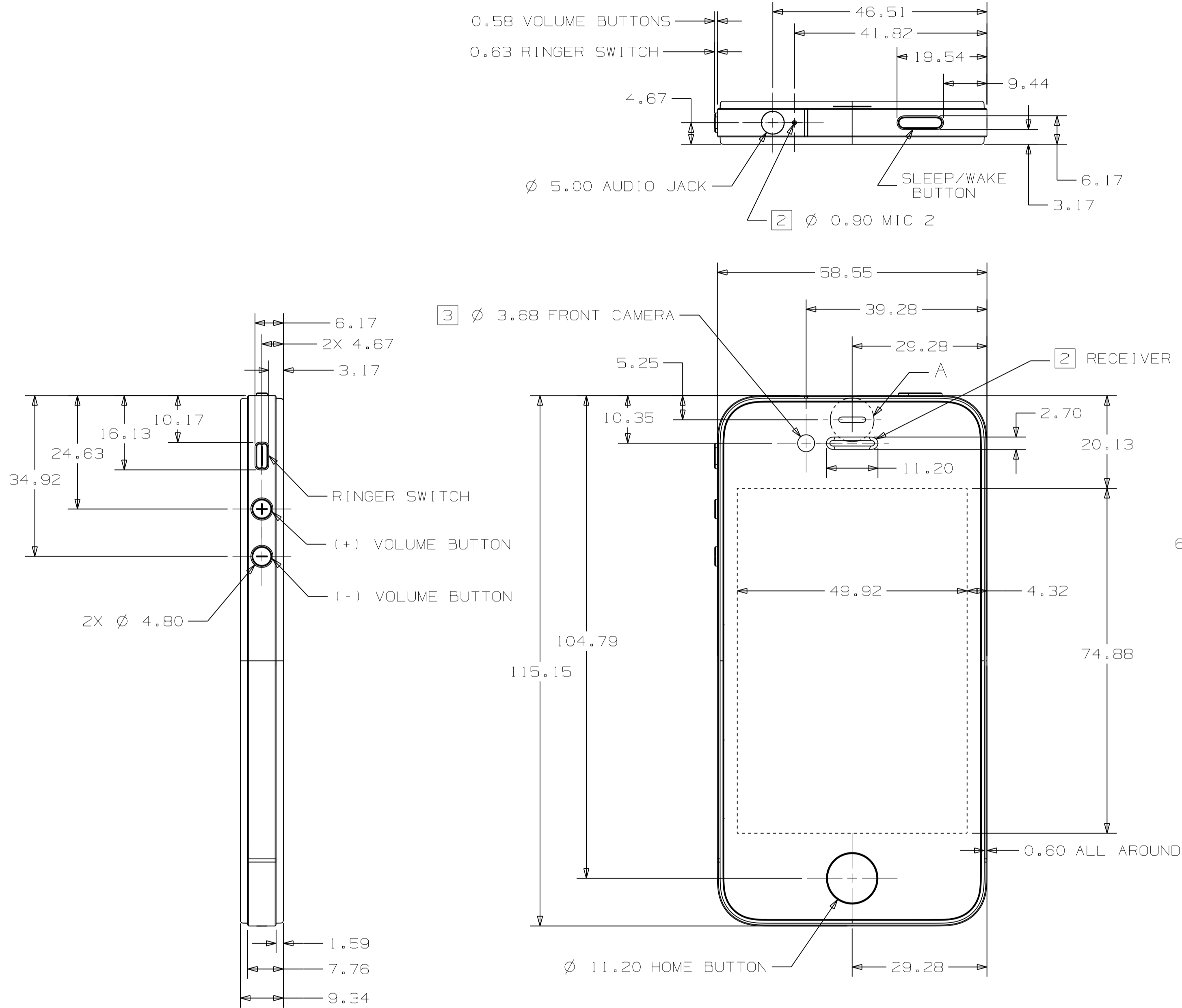


NOTES:

- [1] NO METAL CONTACT WITH iPhone 4 METAL BAND.
- [2] DO NOT OBSTRUCT THE ACOUSTIC OPENINGS: MIC 1, MIC 2, RECEIVER, AND SPEAKER.
- [3] DO NOT OBSTRUCT THE IMAGING FEATURES: FRONT CAMERA, SMP REAR CAMERA, LED FLASH.
- [4] DO NOT OBSTRUCT THE ALS/PROXIMITY SENSOR.



<b>METRIC</b>		<b>Apple Inc.</b>	
DRAFTER	DATE	NOTICE OF PROPRIETARY PROPERTY: THE INFORMATION CONTAINED HEREIN IS THE PROPRIETARY PROPERTY OF APPLE INC.	
DESIGNER	DATE	©2011 APPLE INC. ALL RIGHTS RESERVED. APPLE, THE APPLE LOGO, AND iPhone ARE TRADEMARKS OF APPLE INC., REGISTERED IN THE U.S. AND OTHER COUNTRIES.	
DIMENSIONS ARE IN MILLIMETERS		TITLE	
TOLERANCES		iPhone 4 (GSM model)	
X.X	±0.4	DRAWING NUMBER	REV.
X.XX	±0.20		2
X.XXX	±0.100		
ANGLES ±0.5°			
DO NOT SCALE DRAWINGS		SCALE	SIZE
THIRD ANGLE PROJECTION		NONE	D
		SHT	1 OF 1