

4

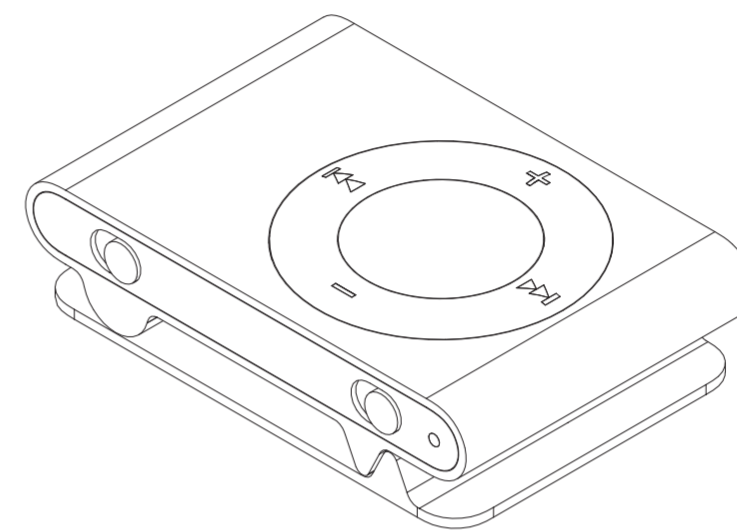
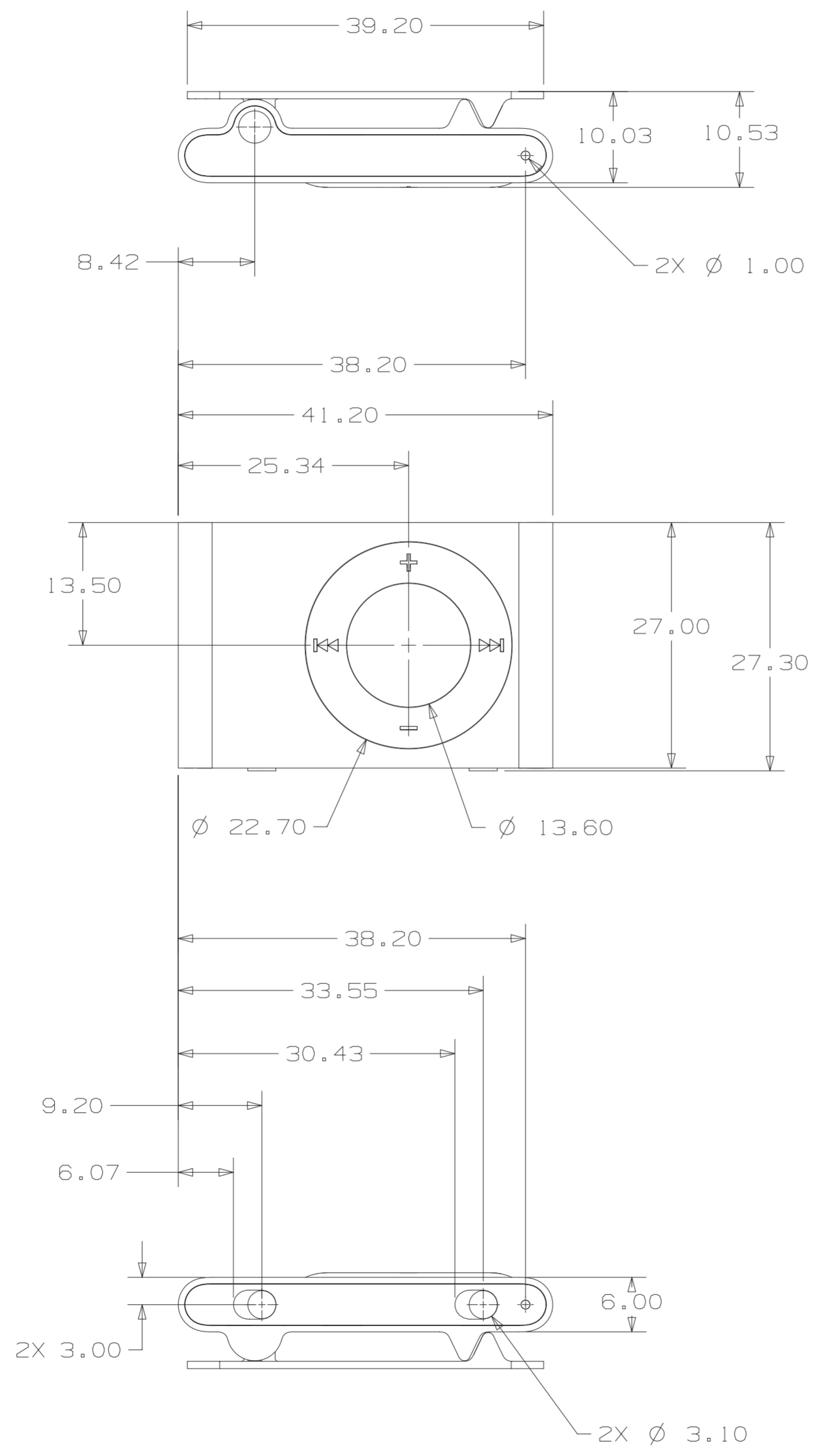
3

2

1

| REV | RFA# | DESCRIPTION OF REVISION |
|-----|------|-------------------------|
| | | |

NOTES: (UNLESS OTHERWISE SPECIFIED)



| | | | |
|---|------|---|-------------|
| METRIC | | Apple Computer, Inc. | |
| DRAFTER | DATE | NOTICE OF PROPRIETARY PROPERTY: THE INFORMATION CONTAINED HEREIN IS THE PROPRIETARY PROPERTY OF APPLE COMPUTER, INC. THE POSSESSOR AGREES TO THE FOLLOWING: (i) TO MAINTAIN THIS DOCUMENT IN CONFIDENCE (ii) NOT TO REPRODUCE OR COPY IT (iii) NOT TO REVEAL OR PUBLISH IT IN WHOLE OR PART (iv) ALL RIGHTS RESERVED | |
| DESIGNER | DATE | | |
| DIMENSIONS ARE IN MILLIMETERS TOLERANCES X.X ±0.0 X.XX ±0.00 X.XXX ±0.000 ANGLES ±0.0 DO NOT SCALE DRAWINGS | | iPod shuffle (2nd Generation) | |
| THIRD ANGLE PROJECTION | | DRAWING NUMBER | REV. |
| SIZE | | SCALE 2 : 1 | SHIT 1 OF 1 |

4

3

2

UG GENERATED